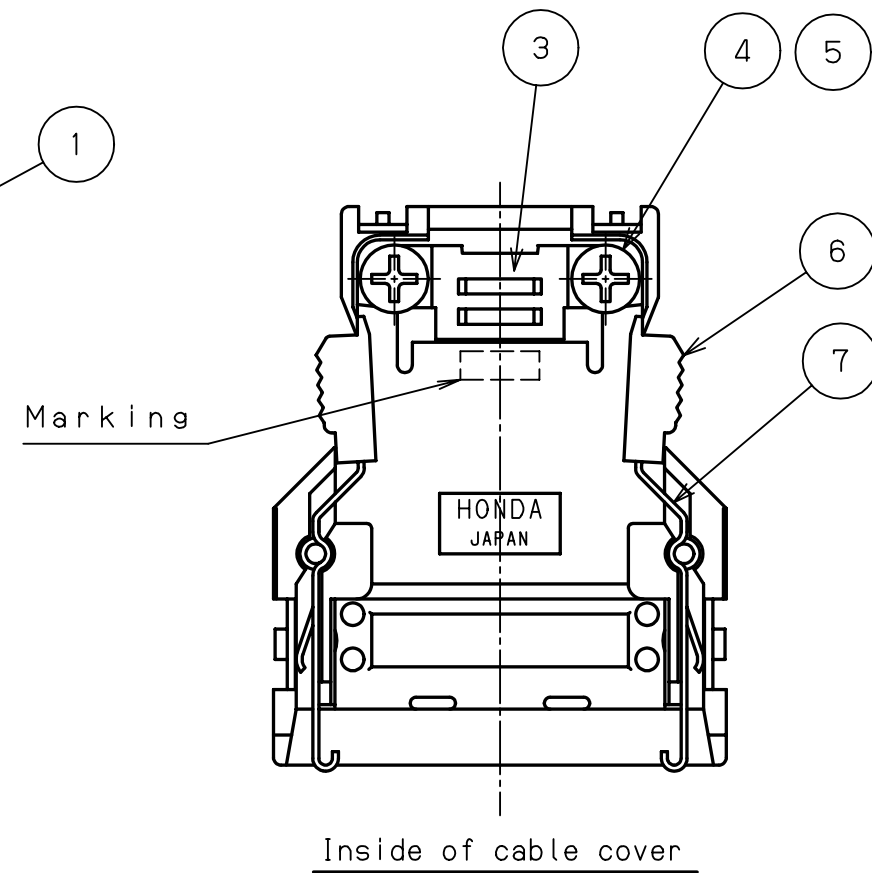


Part No.	Applicable cable jacket O.D.	Marking
PCR-V20LA	6 DIA.	20A
PCR-V20LB	8 DIA.	20B



Inside of cable cover

7	Lock	STAINLESS STEEL	2	---	---
6	Cap	P. C (GF)	2	---	UL94V-0 Gray
5	Insert screw	Steel	2	Nickel plating	---
4	Screw	Steel	2	Nickel plating	Append
3	Clamp	Stainless Steel	1	---	Append
2	Cover B	P. C (GF)	1	---	UL94V-0 Gray
1	Cover A	P. C (GF)	1	---	UL94V-0 Gray

LTR.	DATE	BY	REV.	DESCRIPT	No.	PART NAME	MATERIAL	QTY	FINISH	NOTE
	OCT. 23 2003	T. K		Append add.						

DATE		SCALE		UNIT				
MAY. 15. 1997		2 / 1		mm (INCH)	3RD. A. P	HONDA TSUSHIN KOGYO CO., LTD.		
APP. DATE & REV.								
DR.	DE.	CHK.	CHK.	APP.	NAME			PCR-E TYPE CABLE COVER
Y. OHMORI	Y. OHMORI	T. SOGO	K. HOMMA	M. TAKAHASHI	PART NO.			PCR-V20L ()
								REV 1B